

12837 W. 34TH PLACE
ARVADA, CO 80002
OFFICE: (303) 715-9885

February 16, 2024

K2 Residential Solutions
2091 South Galapago Street, Suite 100
Denver, Colorado 80223

Attn: Ben Parks

**Subject: Alternate for Stair Wall Girt
 Buildings 1 through 6, All Units
 8705 Ralston Court
 Arvada, Colorado**

Dear Ben,

As you requested, we have reviewed the structural plans (dated October 3, 2024). It is our understanding that the 5.25" x 14" PSL/LSL wind girts in the tall stair walls are difficult to acquire locally, and you would like an alternative. It is our opinion that an HSS 10x3x1/4" rectangular steel tubing with 3/16" end plates can be used in their place. See the attached detail for further recommendations for this alternative, and see the referenced plans for additional information.

The scope of this letter is limited to the items described above. Please feel free to call if you have any questions.

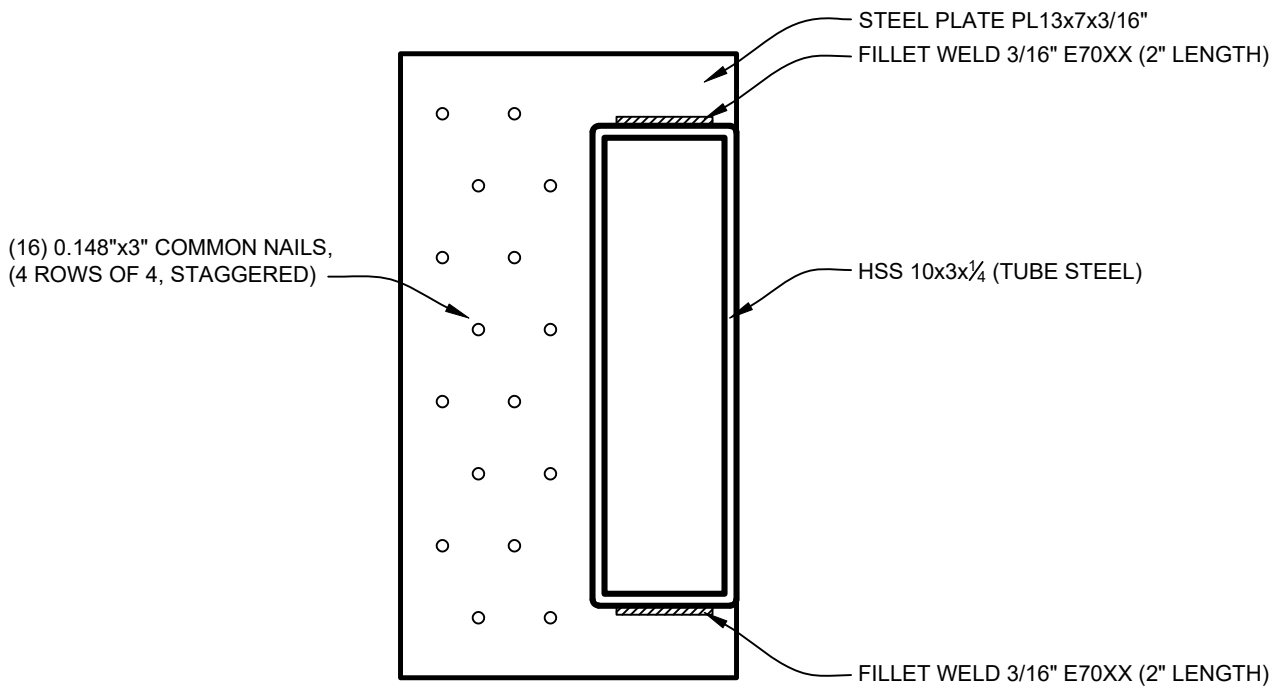
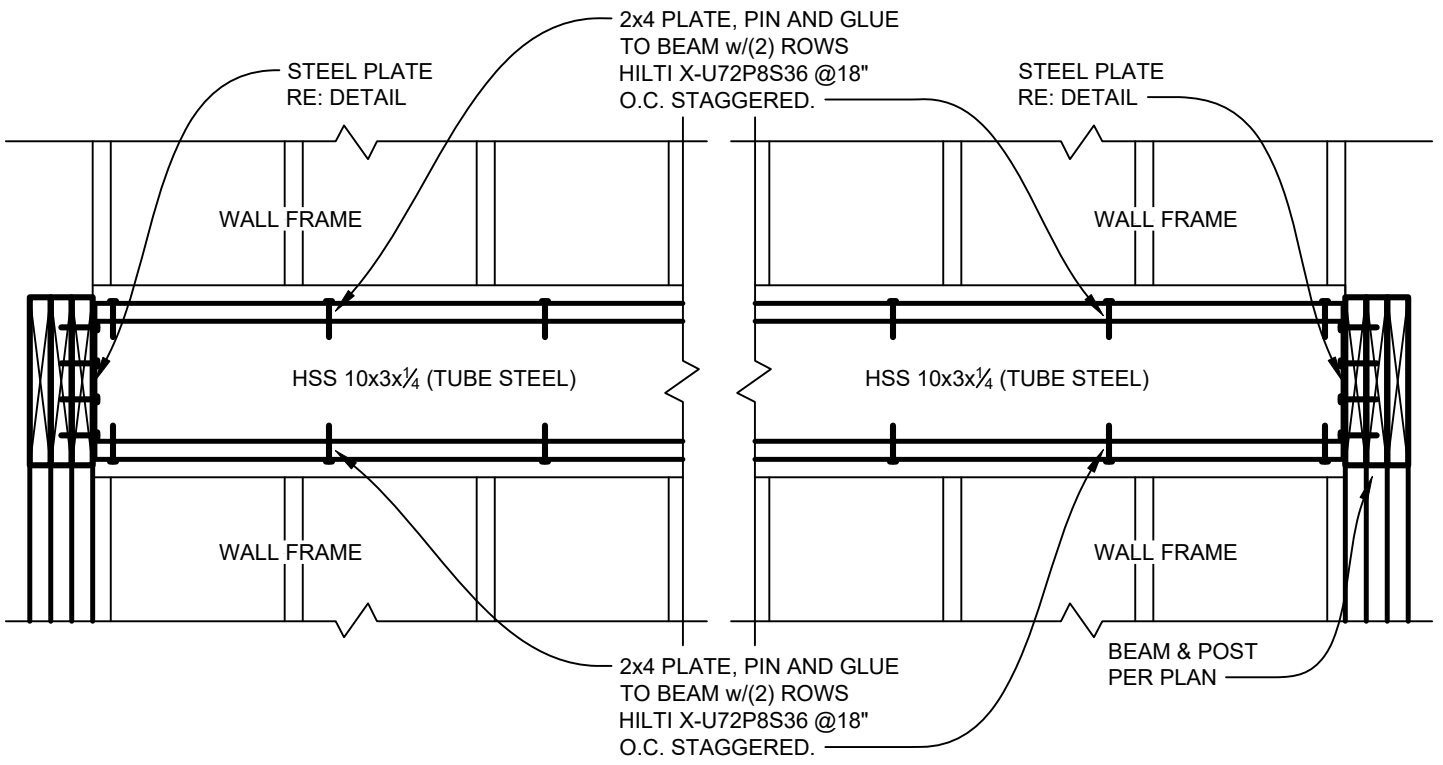
Sincerely,

Graf Engineering, LLC

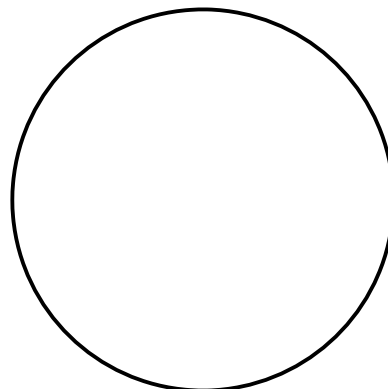
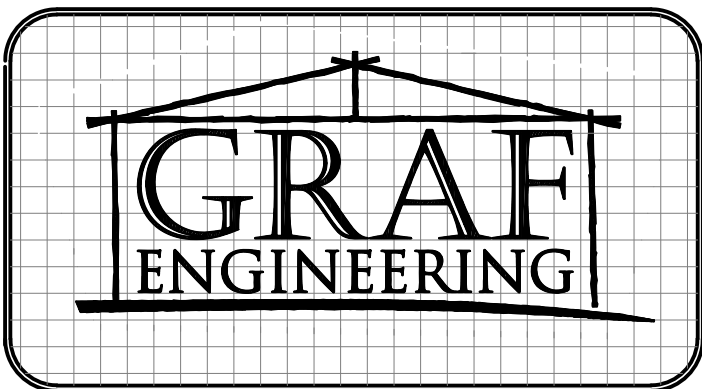
February 16, 2024
Dustin A. Lambert, P.E.

DAL

Attachment: 1, as noted



DETAIL



Revisions		Issue No
		Date 8/31/2023
		Design DAL
		Drafting MJF
		Checked NPG
		Sheet
		1 OF 1