

Facilities Contracting, Inc.

Re: DEV23-00002 Certified Right of Way Construction Costs

June 5, 2024

Right of way construction on this permit consisted of cutting in and patching back a concrete drainage swale (chase drain) approximately 1 '4" X7' per the construction documents and attached shop drawing for sheet flow onto Holman St. Existing asphalt paving on Holman St. was infra-red patched post install per requirement of municipal inspectors.

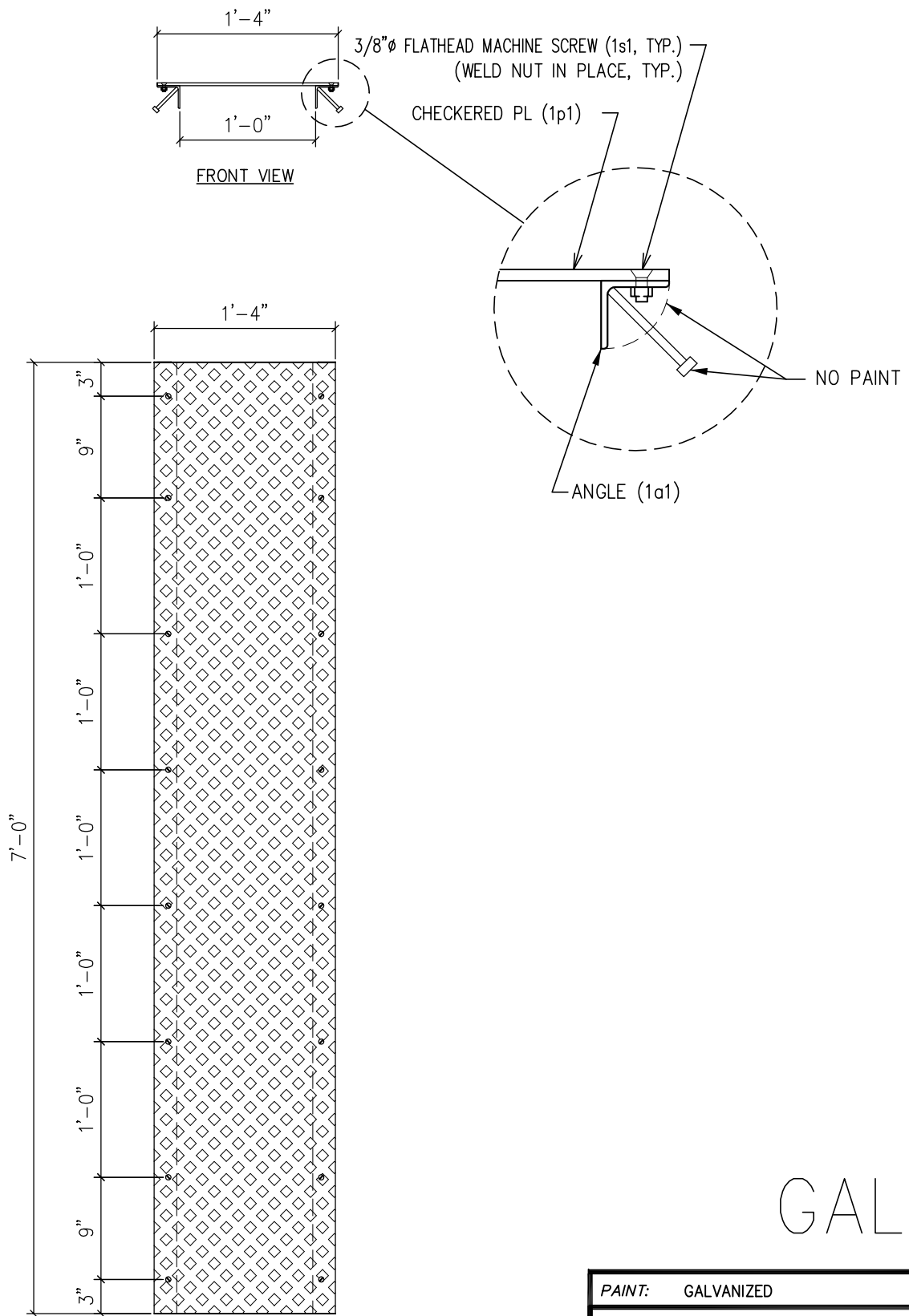
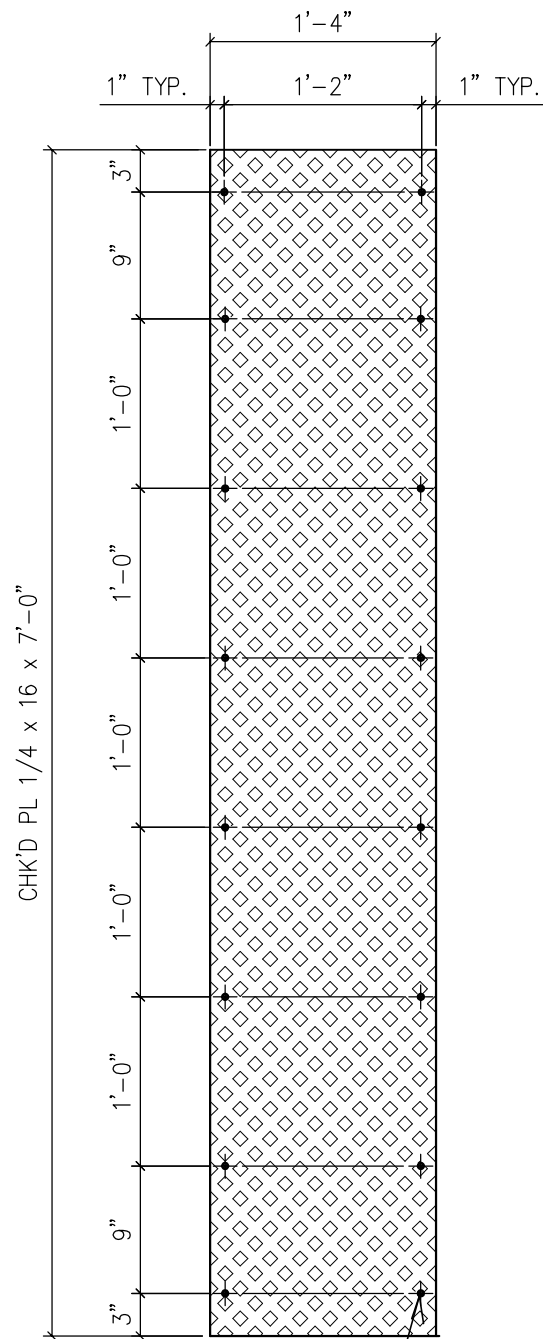
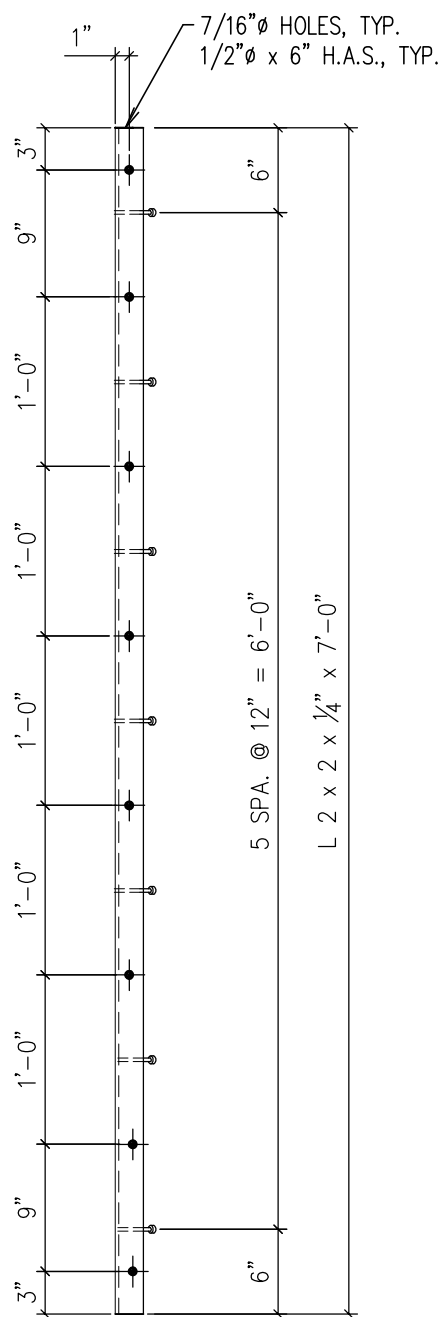
*Total cost of ROW construction - **\$10,795.00***



These Certified Right of Way Construction Costs were reviewed by Michael Goodhue, PE at K2 Civil Consultants and found to be in accordance with proposed public improvements.

Corporate Office

981 SouthPark Drive • Littleton, CO 80120 • Phone (303) 798-7111 • Fax (303) 798-7199
www.facilitiescontracting.com • info@facilitiescontracting.com



4 - ANGLES - 1a1
SCALE: 1" = 1'-0"

2 - CHK'D PLATE - 1p1
SCALE: 1" = 1'-0"

2 - SIDEWALK CHASE - 1SC1
SCALE: 1" = 1'-0"

GALVANIZED

PAINT: GALVANIZED			
DESCRIPTION	SIDEWALK CHASE	SHIP TO	F.O.B. OUR SHOP
STRUCTURE	LITTLE SUNSHINE'S	CUSTOMER	FACILITIES CONTRACTING
LOCATION	ARVADA	JOB NO.	23-108
Drawn By	RMS	Date	6/22/2023
Checked By		Date	
SHEET NO.			ONE

RON'S WELDING & FAB. INC.

Phone: (303) 534-8176 OFFICE
(303) 534-8177 FAX